

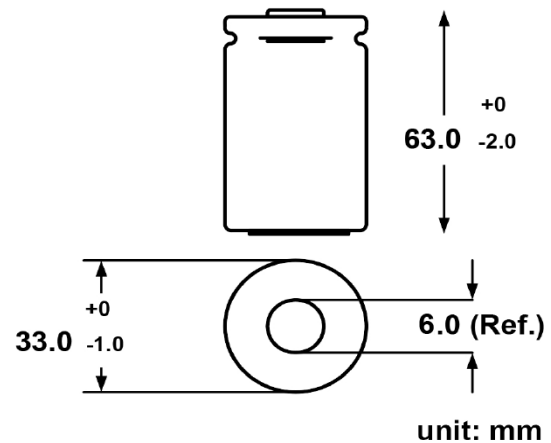
GP 1100DH 11000mAh D NiMH



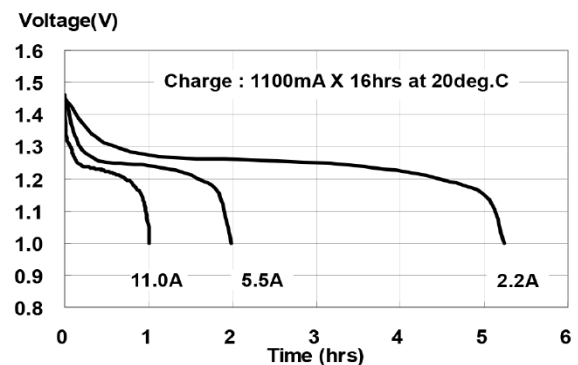
AKUMULATOR R20 Z WYSOKIM „PLUSEM”

Type	: Rechargeable Nickel Metal Hydride Cylindrical Cell
Nominal Dimension (with Sleeve)	: $\Phi = 33.0\text{mm}$ H = 63.0mm
Applications	: Recommended discharge current 2200mA to 55A
Nominal Voltage	: 1.2V
Capacity	: Nominal: 11000mAh Minimum: 11000mAh Typical: 11550mAh When discharged at 0.2C to 1.0V at 20°C
Charging Condition	: 1100mA for 16 hrs at 20°C
Fast Charge	: 2.2A to 5.5A (0.2C to 0.5C) With charge termination control Recommended control parameters: - $\Delta V$ : 0-5mV dT/ t : 0.8°C/min (0.5C) TCO : 40 - 50°C Timer : 105% nominal input (For ref. only)
Service Life	: >500 cycles (IEC 61951-2)
Continuous Overcharge	: 1100mA maximum current for 1 year. No conspicuous deformation and/or leakage
Weight	: 179g
Internal Resistance	: Average 6m $\Omega$ upon fully charged (Range 4 - 8m $\Omega$ ) at 1100Hz
Max. Charging Voltage	: 1.5V at 1100mA charging
Ambient Temperature Range	: Standard Charge : 0 to 40°C Fast Charging : 10 to 40°C Discharge : -20 to 50°C Storage : -20 to 35°C Storage (1 week): -20 to 60°C

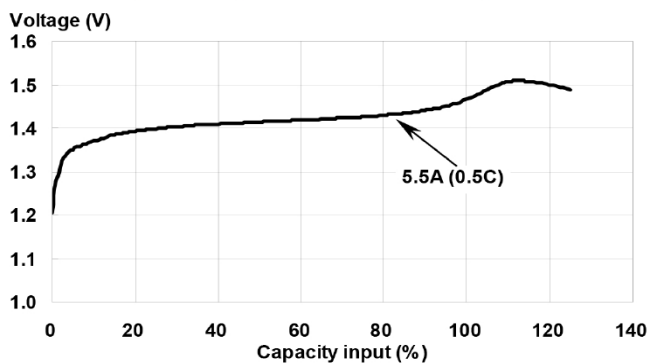
Model No.: **GP1100DH**



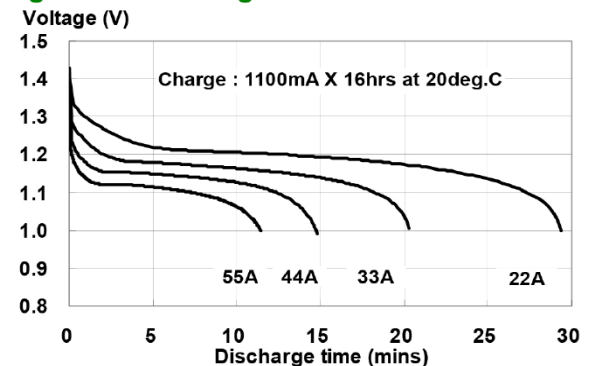
Low Rate Discharge



Fast Charge (charge control required)



High Rate Discharge



The information (subject to change without prior notice) contained in this document is for reference only and should not be used as a basis for product guarantee or warranty. For applications other than those described here, please consult your nearest GP Sales and Marketing Office or Distributors.

[www.gpbatteries.com](http://www.gpbatteries.com)

Manufacturer reserves the right to alter or amend the design, model and specification without prior notice.  
Copyright@GPI International Ltd. – All rights reserved

ZRS5089 rev.00

